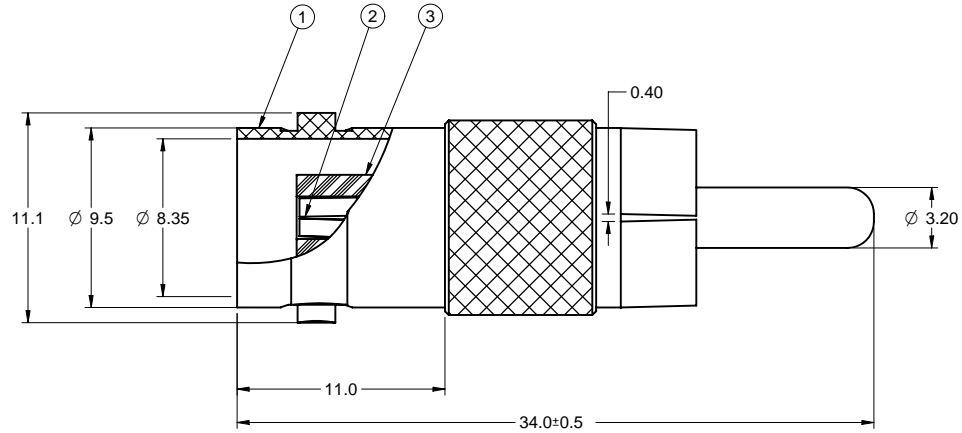
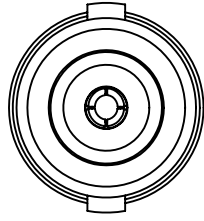


PART NUMBER	ITEM ① BODY	ITEM ② CONTACT	ITEM ③ INSULATOR
27-8110	ZINC NICKEL PLATED	BERYLLIUM Ni/Au PLATED	DELTRIN

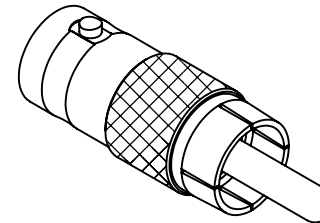
DRAWING NO.
27-8110

REVISIONS			
A	RELEASE FOR QUOTATION		
	03-10-06	Y	U
B	ADD NOTES 4 & 5		
	10-31-06	Y	U
C	ADD DIM. 0.4, CHANGE TOLERANCE ON OVERALL LENGTH		
	11-28-06	Z	U



NOTES:

- ELECTRICAL SPECIFICATIONS
 IMPEDANCE: 50 OHMS NOMINAL
 FREQUENCY RANGE: 0-4 GHz
 WORKING VOLTAGE: 500 Vrms MAX AT SEA LEVEL
 DIELECTRIC WITHSTANDING VOLTAGE: 1500 vrms AT SEA LEVEL
 CORONA LEVEL: 375 VOLTS MINIMUM AT 70,000 FEET
 CONTACT RESISTANCE: OUTER-0.2 MILLIOHMS MAXIMUM
 CENTER-2.1 MILLIOHMS MAXIMUM
 INSULATION RESISTANCE: 5000 MEGOHMS MINIMUM
- MECHANICAL SPECIFICATIONS
 DURABILITY: 500 CYCLES MIN
 FORCE TO ENGAGE/DISENGAGE: 3 LBS MAX
- ENVIRONMENTAL SPECIFICATIONS
 RECOMMENDED TEMPERATURE RANGE: -55 °C TO +85°C
 MOISTURE RESISTANCE: MIL-STD-202
- PRODUCT SHOULD BE RoHS COMPLIANCE.
- PACKAGING REQUIREMENT FOLLOWS ENGINEERING DOCUMENT P/N 836-40200001XX



THIS DRAWING TO BE INTERPRETED
PER ANSI Y 14.5M - 1994

COMPANY CONFIDENTIAL

TOLERANCE UNLESS OTHERWISE SPECIFIED		DRAWN BY GARY.ZHG	DATE 11-28-06
DECIMALS	mm	CHECKED BY BETTY.YU	DATE 11-28-06
X	+ 0.5	APPROVED BY THOMAS	DATE 11-28-06
X.X	+ 0.2		
X.XX	+ 0.1		
ANGLES	+ 0.5°	U/M	mm

EMERSON Network Power		Connectivity Solutions	
TITLE ADAPTER, BNC JACK TO RCA JACK			

THIS DRAWING WAS PRODUCED BY COMPUTER, DO NOT SCALE DRAWING OR UPDATE MANUALLY.		SHEET 1 OF 1	DRAWING NO. 27-8110	SIZE C
---	--	-----------------	------------------------	-----------